



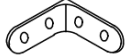
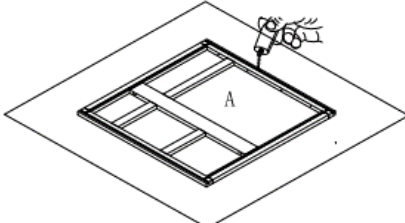
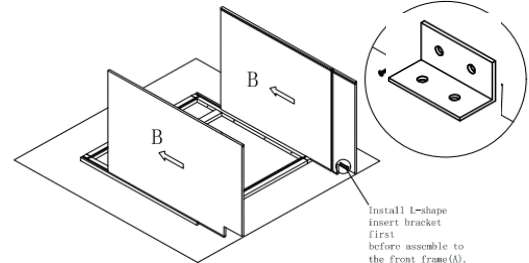
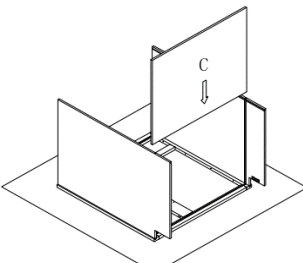
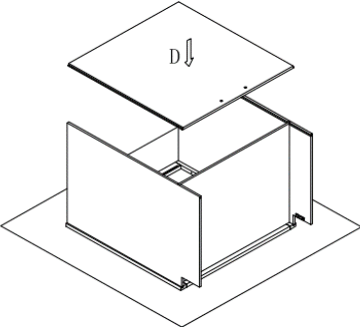
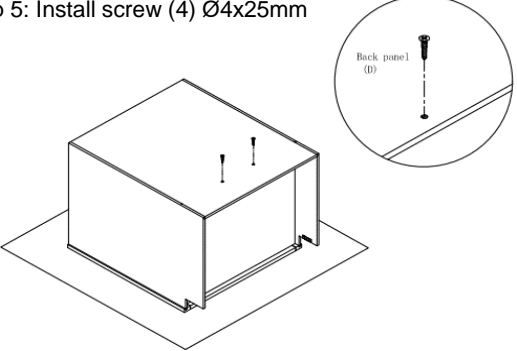
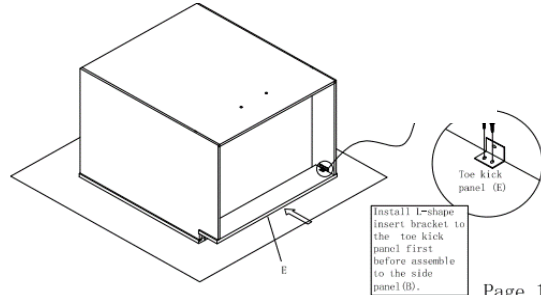


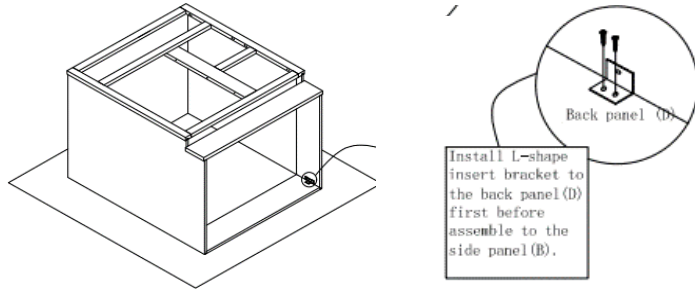
Vanity Sink Base Cabinet Assembly Instruction

(Item: V36DL-2)

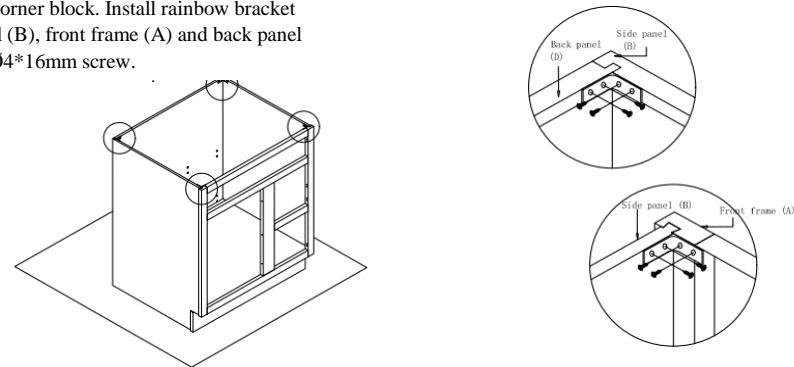
Hardware list	1	44PCS	Φ3.5*12mm	2	8PCS	Φ4*16mm	3	4PCS	Φ4*20mm	4	4PCS	Φ4*25mm	5	16PCS	Φ3.5*12mm	6	11PCS		7	12PCS	Bumper
	Round head screw			Flat head screw			Round head screw			Black flat head screw			Round head screw			L-shape bracket					
Assembly tools required	 Screw driver			 Rubber mallet			H Drawer front			 Hinge			 Drawer slide			 Galvanized Bracket					
Cabinet Part List	A	Front frame		B	Side panel(2)		C	Bottom panel		D	Back panel		E	Toe kick panel		F	Adjustable shelf		G	Door	
<p>Step 1 : With front frame (A) of cabinet lay down on clean and soft surface then put glue into groove.</p> 				<p>Step 2 : Install side panel. Insert both side panel(B) into groove of front frame(A) until side panel(B) and front frame(A) even.</p>  <p style="font-size: small;">Install L-shape insert bracket first before assemble to the front frame(A).</p>							<p>Step 3 : Install bottom panel. Insert the bottom panel (C) into groove of side panel(B) until it into the groove of front frame(A).</p> 										
<p>Step 4 : Install back panel. Insert back panel (D) into groove of left and right side panel(B).</p> 				<p>Step 5: Install screw (4) Ø4x25mm</p>  <p style="font-size: small;">Back panel (D)</p>							<p>Step 6 : Install toe kick panel. Fit in the L-shape insert bracket from toe kick panel (E) into side panel (B) bracket and screw the bracket with(1) Φ3.5*12mm screw.</p>  <p style="font-size: small;">Install L-shape insert bracket to the toe kick panel first before assemble to the side panel(B).</p> <p style="text-align: right;">Page 1/3</p>										

(Item: V36DL-2)

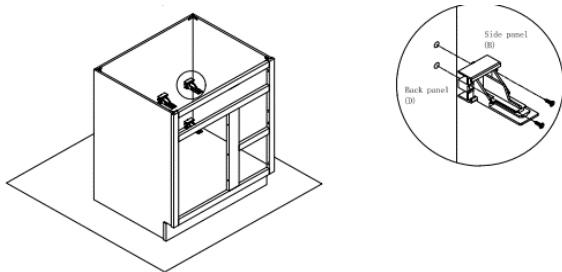
Step 7 : Install back panel. Fit in the L-shape insert bracket from back panel (D) into side panel (B) bracket and assembly the bracket with (1) $\Phi 3.5 \times 12$ mm screw.



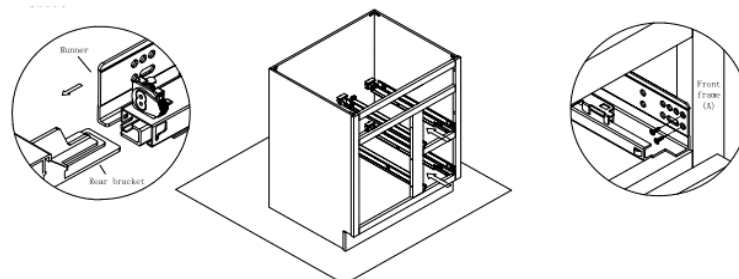
Step 8 : Install corner block. Install rainbow bracket to the side panel (B), front frame (A) and back panel (D) with the (5) $\Phi 4 \times 16$ mm screw.



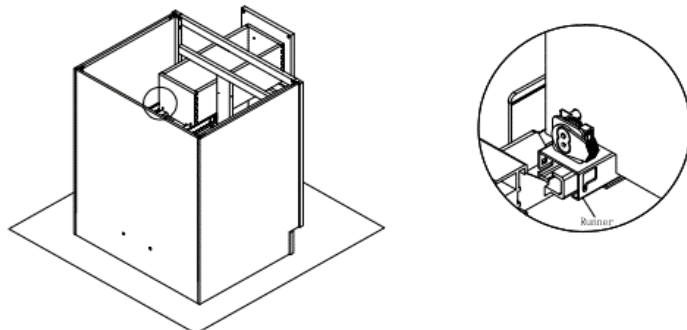
Step 9 : Install the drawer slide rear bracket. Screw the rear slide bracket to the back panel (D)



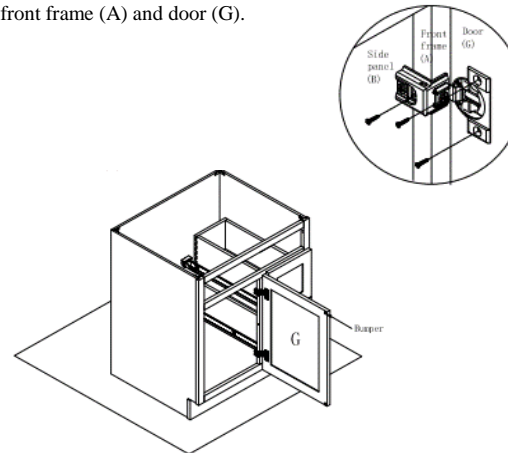
Step 10 : Insert drawer slide runner to the rear slide bracket and screw the drawer slide to the guide hole of front frame (A) and hole for drawer slide.



Step 11 : Put the drawer box on the drawer slide and push the drawer box to make the end of runner is lock to the hole of the drawer back panel. Complete the installation of the drawer box when you hear sound click which mean the locking device is locked on the drawer slide.



Step 12 : Install door panel (G). Screw the hinge to the front frame (A) and door (G).



Step 13 : Finish installation of the cabinet

