



(Item:V30)

Hardware list	1	40PCS	Φ3.5*12mm	2	8PCS	Φ4*16mm	3	4PCS	Φ4*20mm	4	4PCS	Φ4*25mm	5	16PCS	Φ3.5*12mm	6	10PCS		7	4PCS	Bumper
	Round head screw			Flat head screw			Round head screw			Black flat head screw			Round head screw			L-shape bracket					
Assembly tools required							H Drawer front			8 4PCS 1-1/4" Hinge			9 4PCS SS30-457 Galvanized Bracket								

Cabinet Part List	A	Front frame	B	Side panel(2)	C	Bottom panel	D	Back panel	E	Toe kick panel	F	Adjustable shelf	C	Door
-------------------	---	-------------	---	---------------	---	--------------	---	------------	---	----------------	---	------------------	---	------

Step 1 : With front frame (A) of cabinet lay down on clean and soft surface then put glue into groove.

Step 2 : Install side panel. Insert both side panel(B) into groove of front frame(A) until side panel(B) and front frame(A) even.

Step 3 : Install bottom panel. Insert the bottom panel (C) into groove of side panel(B) until it into the groove of front frame(A).

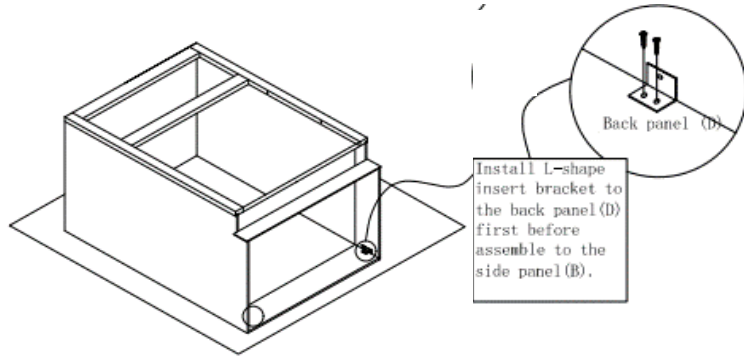
Step 4 : Install back panel. Insert back panel (D) into groove of left and right side panel(B).

Step 5: Install screw (4) Ø4x25mm

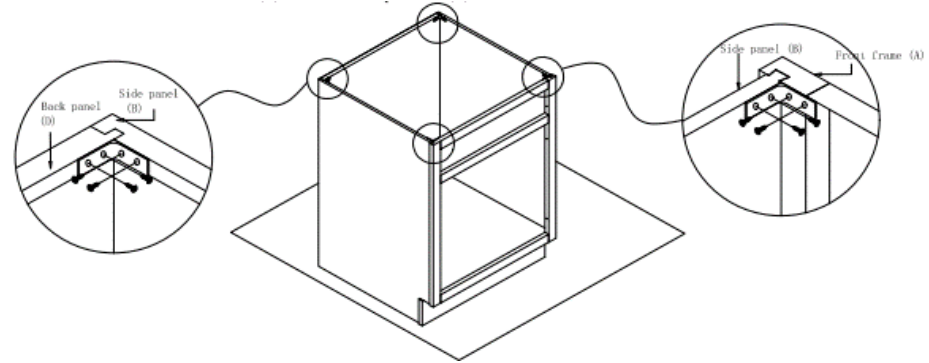
Step 6 : Install toe kick panel. Fit in the L-shape insert bracket from toe kick panel (E) into side panel (B) bracket and screw the bracket with (1) Φ3.5*12mm screw.

(Item:V30)

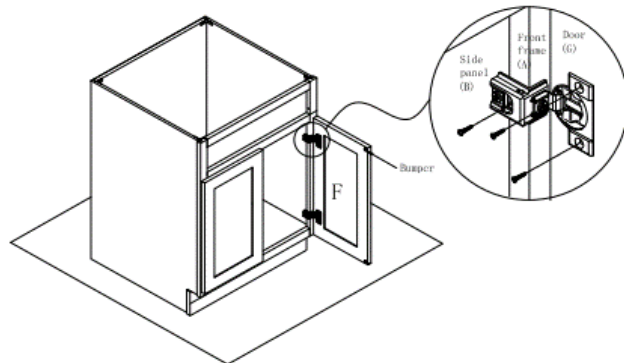
Step 7 : Install back panel. Fit in the L-shape insert bracket from back panel (D) into side panel (B) bracket and assembly the bracket with (1) $\Phi 3.5 \times 12\text{mm}$ screw.



Step 8 : Install corner block. Install rainbow bracket to the side panel (B), front frame (A) and back panel (D) with the (5) $\Phi 4 \times 16\text{mm}$ screw.



Step 9 : Install door panel (G). Screw the hinge to the front frame (A) and door (G).



Step 10 : Finish installation of the cabinet

